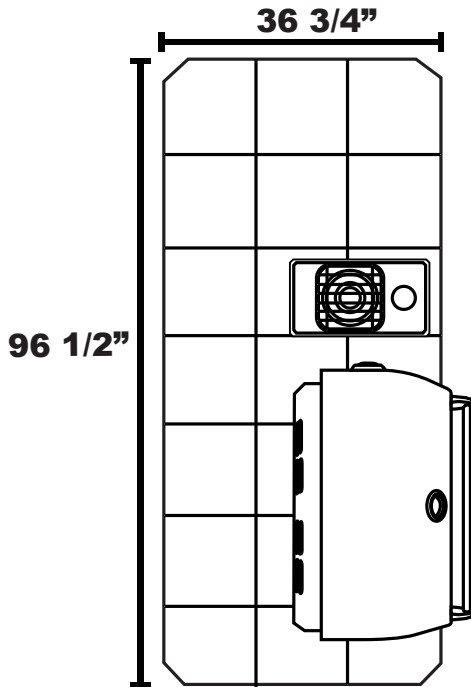


Premium Q

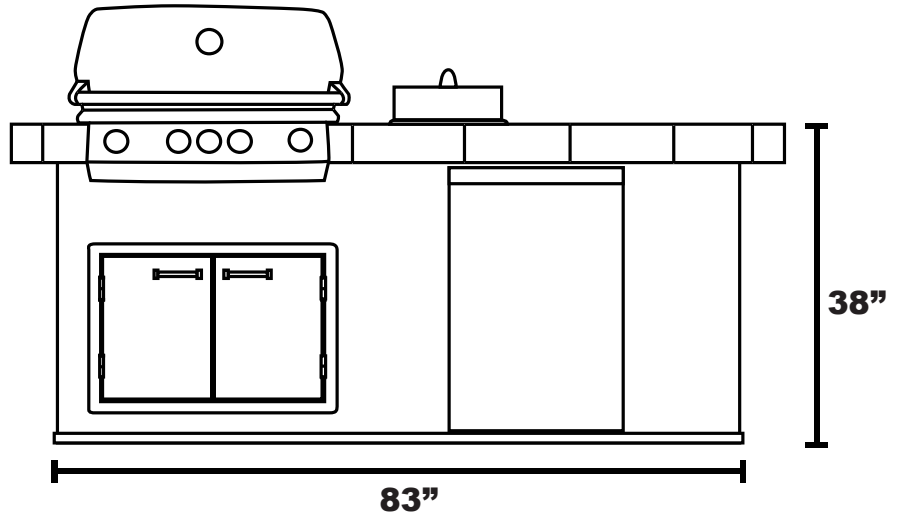


Provided By: Lifestyle Outdoor Kitchens
Luxurybbq.com Luxurybbq@gmail.com
941-628-7888 Fax 941-460-4318

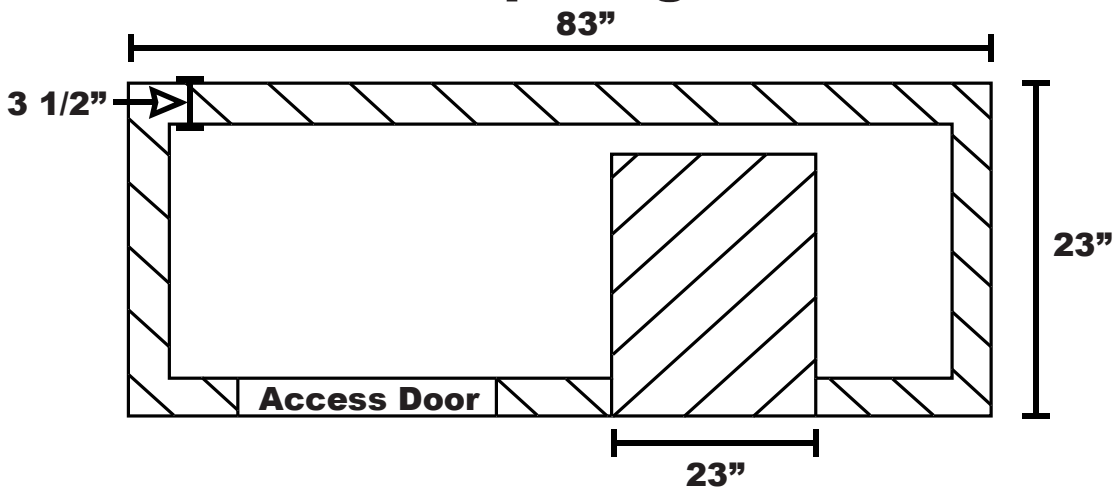
Top View



Front View



Stub-up Diagram



Notes:

1. Add 1 1/2" to all base sides for rock finishes
2. 6" max height on all stub-ups
3. Keep Gas and Water Lines to the far left or right to prevent fitting issues
4. Subtract 3 1/2" from inner perimeter
5. Approximate measurements
6. Not to scale